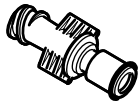


# TECHNICAL NOTE

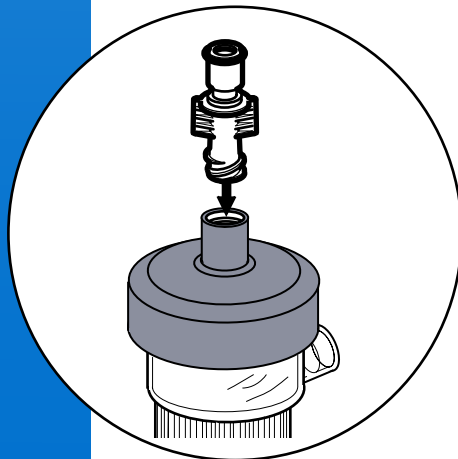
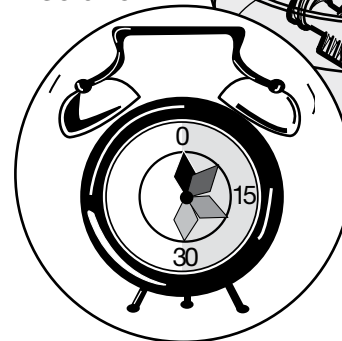
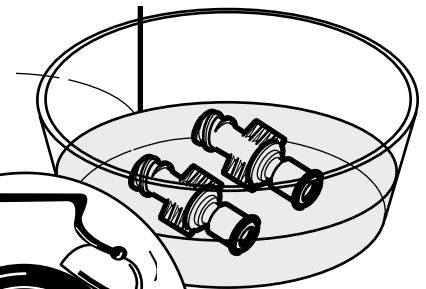
## How to use the RENATRON Reprocessing Connector



The Reprocessing Connector is a barrier connector that isolates a dialyzer from the RENATRON® or RENCLEAR® Dialyzer Header Cleaning System. A unique quick disconnect feature allows for fast and easy connections.

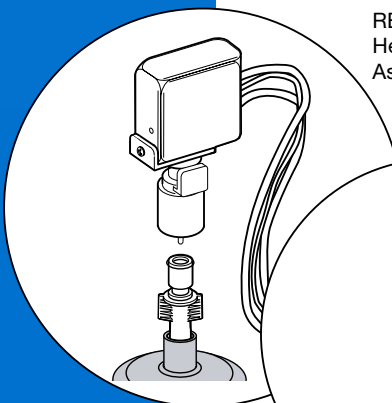
To use the Reprocessing Connector a RENACLEAR must have the modified header cleaner assemblies that attach to the Reprocessing Connector. A RENATRON Reprocessing System must first be calibrated for use with the Reprocessing Connector. This is accomplished by performing a calibration test using the Reprocessing Connector. Recalibrate the RENATRON if necessary following the RENATRON Directions for Use.

1. The Reprocessing Connectors should be disinfected with either 1% RENALIN® solution or full strength ACTRIL® solution for **30 minutes before use**.



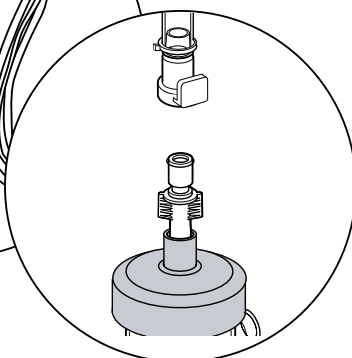
2. The Reprocessing Connector should first be attached to the dialyzer blood port connectors.

RENACLEAR Modified Header Cleaner Assembly



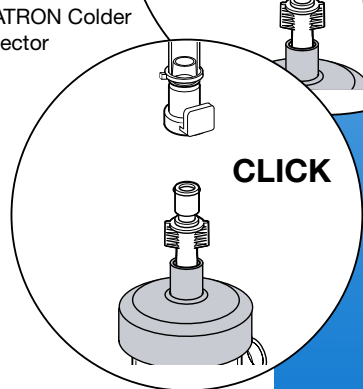
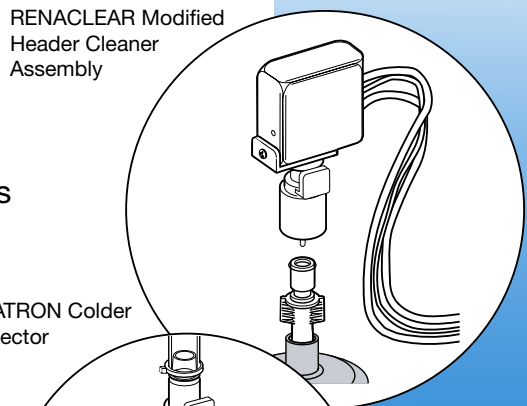
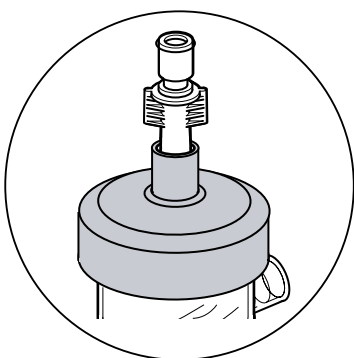
3. The dialyzer can now be attached to the RENACLEAR Header Cleaner Assembly or the Colder Connectors on the arterial inlet and venous outlet lines of a RENATRON.

RENATRON Colder Connector



4. When attaching the modified header cleaner assemblies or the arterial and venous lines to the Reprocessing Connector make sure that the connector is firmly attached. This is indicated by a distinct **CLICK** from the connecting device as it seats on the Reprocessing Connector.

5. If the connector is used with the RENACLEAR Dialyzer Header Cleaning System you may leave the Reprocessing Connectors attached to the dialyzer. After the dialyzer is removed from the RENACLEAR, it can be attached directly to a RENATRON.

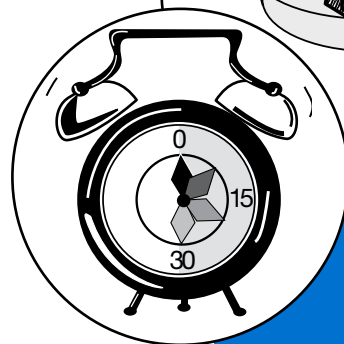
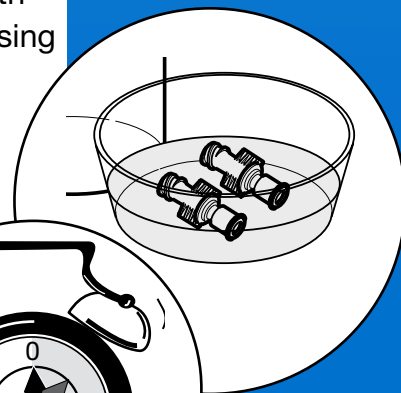


6. After the dialyzer has been reprocessed remove the Reprocessing Connector from the dialyzer and clean off any obvious blood materials.

7. Disinfect the Reprocessing Connector in either 1% RENALIN solution or full strength ACTRIL for a least **30 minutes** before reusing the connector.

8. After disinfection and before use, inspect the connector to ensure that the connector is not damaged and the O-ring is intact.

**NOTE: Simulated-use and PAA exposure testing indicates that reprocessing connectors are unaffected through 3 months of exposure and use. Discard connectors if they show any signs of wear or if they become more difficult to attach to the dialyzer, RENATRON or RENACLEAR devices.**



MEDIVATORS®, ACTRIL®, RENALIN®, RENATRON® and RENACLEAR® are registered trademarks of Medivators Inc.



Manufactured in the USA by:

Medivators Inc.  
14605 28th Avenue North  
Minneapolis, MN 55447 USA  
Toll Free: +1.800.444.4729

Medivators BV   
Sourethweg 11  
6422PC Heerlen  
The Netherlands  
Tel: +31.45.5.471.471

Cantel Medical Asia/Pacific Pte Ltd  
1A International Business Park  
#05-01 Singapore 609933  
Tel: +65.6227.9698

Cantel Medical Devices (China) Co. Ltd.  
Unit 804-805, Innov Tower Block A,  
Hongmei Road, Xuhui 200233 Shanghai  
Tel: +86 21 60161380  
Fax: +86 21 612109136

[www.medivators.com](http://www.medivators.com)