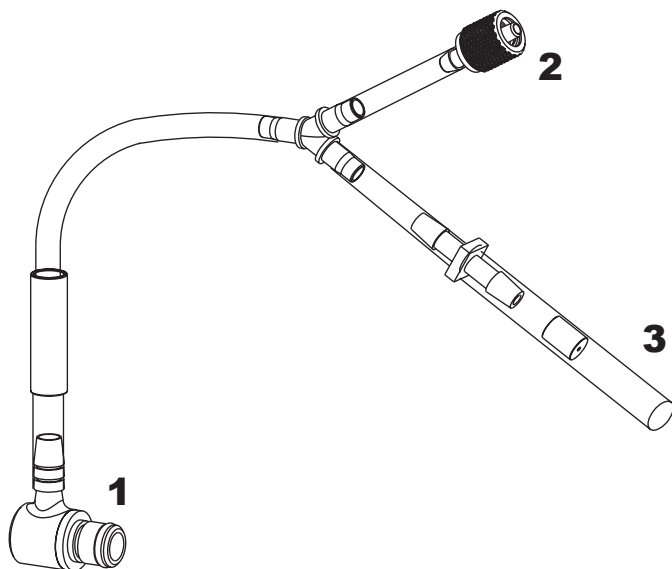


DSD-110-HU0143 Kit Components



1. Basin CPC Connector
2. Luer Connector
3. For Bypass Purposes only Do Not Connect

WARNINGS AND CAUTIONS

Hookups must be periodically inspected to ensure that their functionality is not impaired. Check for damage/worn connectors, missing/damaged components, kinked/blocked tubing and other damage.

DO NOT AUTOCLAVE.

Check to make sure that connections remain firmly attached during the disinfection cycle and until the completion of the cycle to ensure proper high level disinfection.

Refer to endoscope manufacturer's instruction guide for more information.

NOTE: If you have any questions regarding this hookup please contact your service technician or contact Medivators Customer Support at 1.800.444.4729 or 763.553.3300.

www.minntech.com/medivators



Manufactured in the USA by:
MEDIVATORS
REPROCESSING SYSTEMS
A Minntech Corporation Business Group

Minntech Corporation
14605 28th Avenue North
Minneapolis, MN 55447 USA
Phone: (763) 553-3300
Toll Free: (800) 328-3340
Fax: (763) 553-3387
website: www.minntech.com

Minntech BV
Sourethweg 11
6422PC Heerlen
The Netherlands
Phone: +31 45 5 471 471
Fax: +31 45 5 429 695
email: info@minntechbv.com

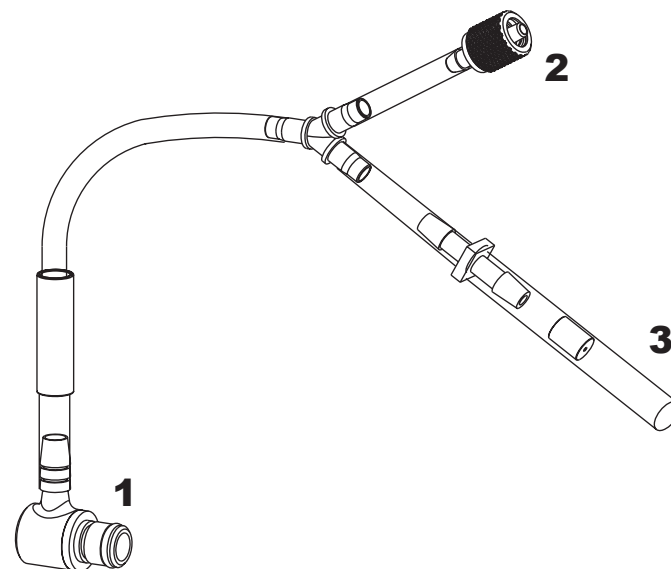
Minntech Asia/Pacific
438 Alexandra Road
#03-01 Alexandra Point
Singapore 119958
Phone: +65 6227 9698
Fax: +65 6225 6848

Minntech Beijing Representative Office
AVIC PLAZA, Room 1508B
No. 10 Yi Dongsanhuan Zhonglu,
Beijing 100022, China
Phone: +8610 6567 8446
Fax: +8610 6567 8445



© 2009, MINNTECH CORPORATION
50097-162/A

DSD-110-HU0143 Kit Components



1. Basin CPC Connector
2. Luer Connector
3. For Bypass Purposes only Do Not Connect

WARNINGS AND CAUTIONS

Hookups must be periodically inspected to ensure that their functionality is not impaired. Check for damage/worn connectors, missing/damaged components, kinked/blocked tubing and other damage.

DO NOT AUTOCLAVE.

Check to make sure that connections remain firmly attached during the disinfection cycle and until the completion of the cycle to ensure proper high level disinfection.

Refer to endoscope manufacturer's instruction guide for more information.

NOTE: If you have any questions regarding this hookup please contact your service technician or contact Medivators Customer Support at 1.800.444.4729 or 763.553.3300.

www.minntech.com/medivators



Manufactured in the USA by:
MEDIVATORS
REPROCESSING SYSTEMS
A Minntech Corporation Business Group

Minntech Corporation
14605 28th Avenue North
Minneapolis, MN 55447 USA
Phone: (763) 553-3300
Toll Free: (800) 328-3340
Fax: (763) 553-3387
website: www.minntech.com

Minntech BV
Sourethweg 11
6422PC Heerlen
The Netherlands
Phone: +31 45 5 471 471
Fax: +31 45 5 429 695
email: info@minntechbv.com

Minntech Asia/Pacific
438 Alexandra Road
#03-01 Alexandra Point
Singapore 119958
Phone: +65 6227 9698
Fax: +65 6225 6848

Minntech Beijing Representative Office
AVIC PLAZA, Room 1508B
No. 10 Yi Dongsanhuan Zhonglu,
Beijing 100022, China
Phone: +8610 6567 8446
Fax: +8610 6567 8445



© 2009, MINNTECH CORPORATION
50097-162/A