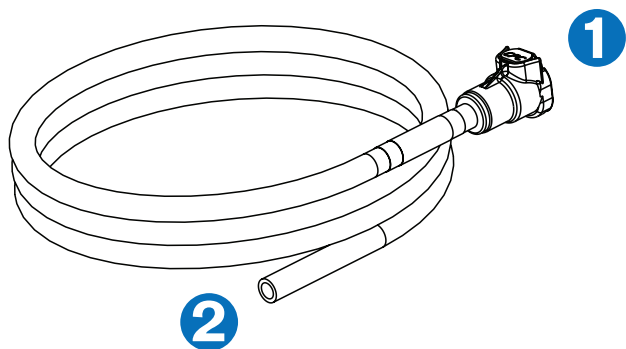


Locate the endoscope port and follow the instructions for attaching the corresponding Endoscope Connector.

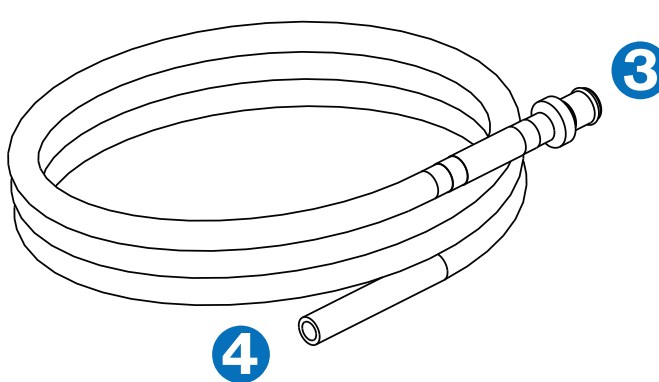
## SCOPE BUDDY™ ASPIRATION TUBING CONNECTORS

### IN Tube (Part A)



- 1** IN Tube Connector - Connect to 'IN' Port on SCOPE BUDDY Flushing Aid
- 2** IN Tube (open end) - Connect to endoscope's suction connector

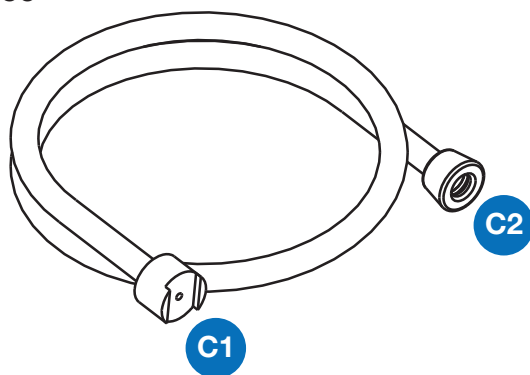
### OUT Tube (Part B)



- 3** OUT Tube Connector - Connect to 'OUT' Port on SCOPE BUDDY Flushing Aid
- 4** OUT Tube (open end) - Place under water in sink

## ADDITIONAL REQUIRED ENDOSCOPE CONNECTIONS (Sold separately)

MH-856



## ADDITIONAL INSTRUCTIONS

- Ensure that the distal end of the endoscope and the weighted end of the MH-856 are both submerged.
- Turn on the SCOPE BUDDY Endoscope Flushing Aid, use the front panel arrow keys until the display shows 30 seconds. Press the START button, at the same time, cover suction opening with gloved finger and aspirate detergent solution through the instrument and suction channel of the endoscope. Observe flow through the MH-856. During this process, fluid will be pumped back to the sink out of the OUT Tube #4.
- SCOPE BUDDY Aspiration Tubing must be decontaminated at the end of every day. Use the same procedure to decontaminate as SCOPE BUDDY Aspiration Tubing.

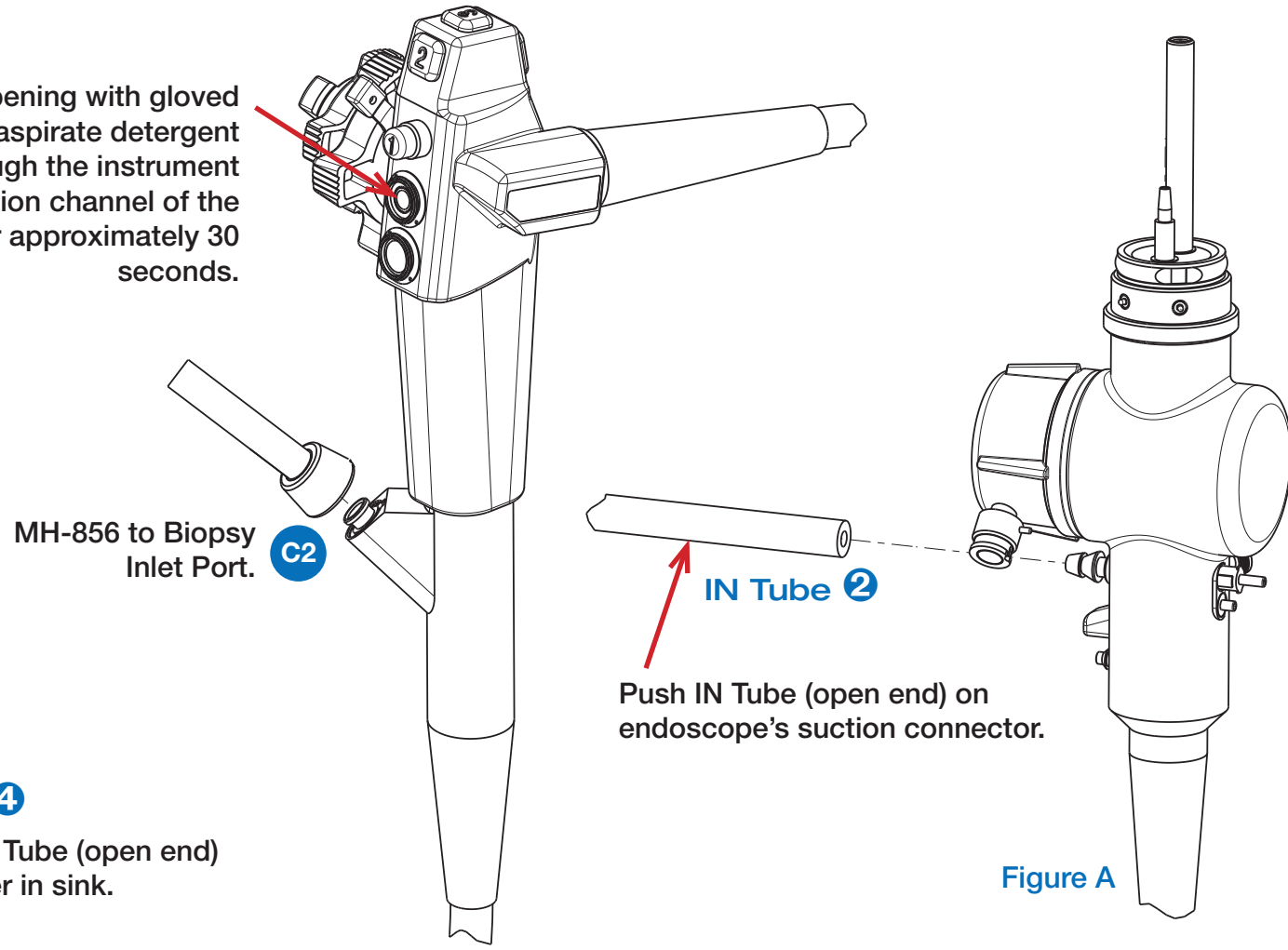
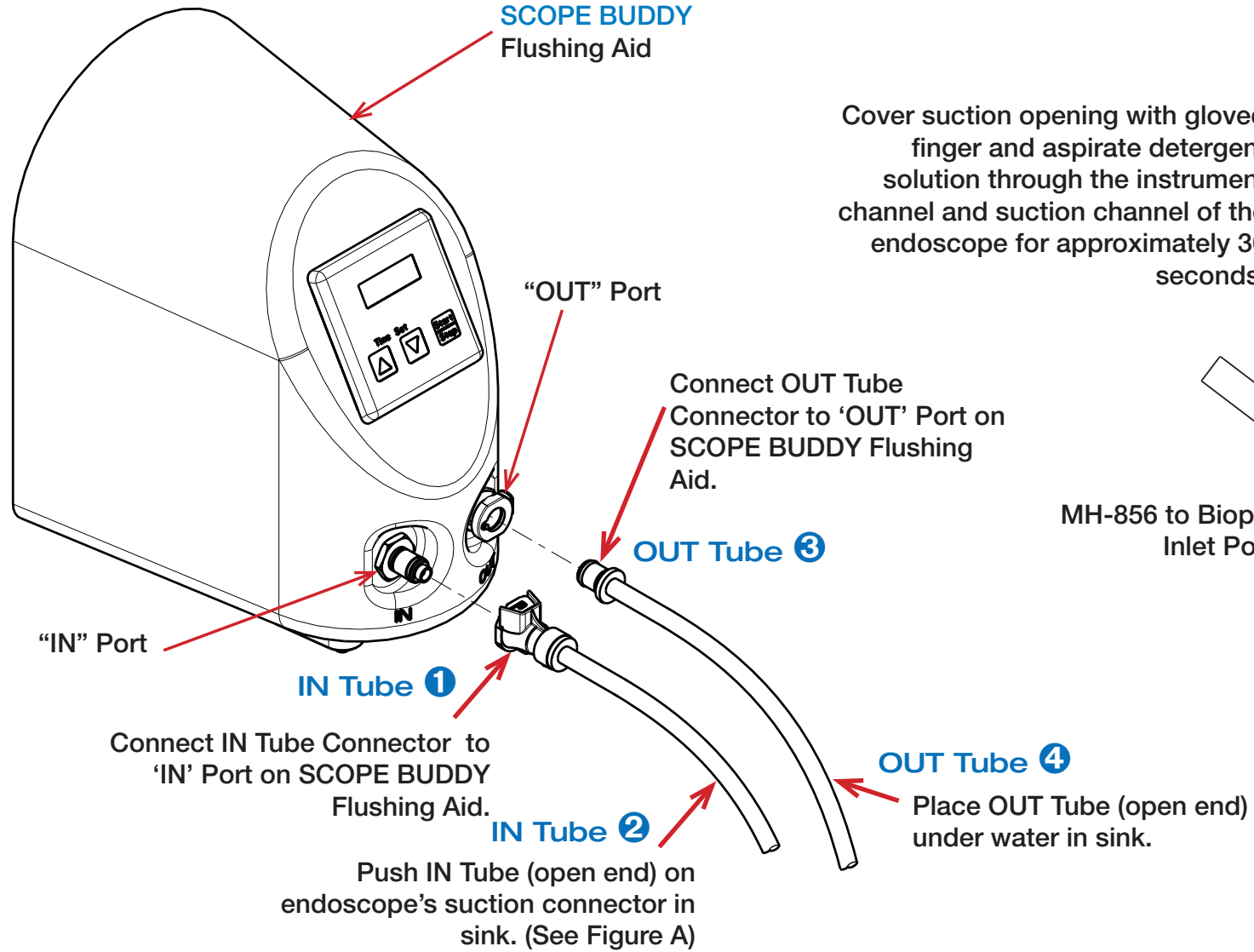
## WARNINGS & CAUTIONS



Read all instructions prior to use. Failure to follow these may result in aspiration flushing of endoscopes. Refer to SCOPE BUDDY Flushing Aid User Manual for additional instructions.

Representative endoscope for illustrative purposes only. For exact port locations, refer to endoscope manufacturer's instruction guide.

**SCOPE BUDDY™ FLUSHING AID CONNECTION DIAGRAM**



NOTE: Refer to SCOPE BUDDY Flushing Aid User Manual for operating instructions.

MEDIVATORS™ and SCOPE BUDDY™ are trademarks of Medivators Inc.  
OLYMPUS® is a registered trademark of Olympus Corporation.



Manufactured in the USA by:

Medivators  
3150 Pollok Drive  
Conroe, TX 77303  
Tel: +1.939.539.0391

Medivators Inc.  
14605 28th Avenue North  
Minneapolis, MN 55447 USA  
Toll Free: +1.800.444.4729

EC	REP	Medivators BV Sourethweg 11 6422PC Heerlen The Netherlands Tel: +31.45.5.471.471
----	-----	--

www.medivators.com