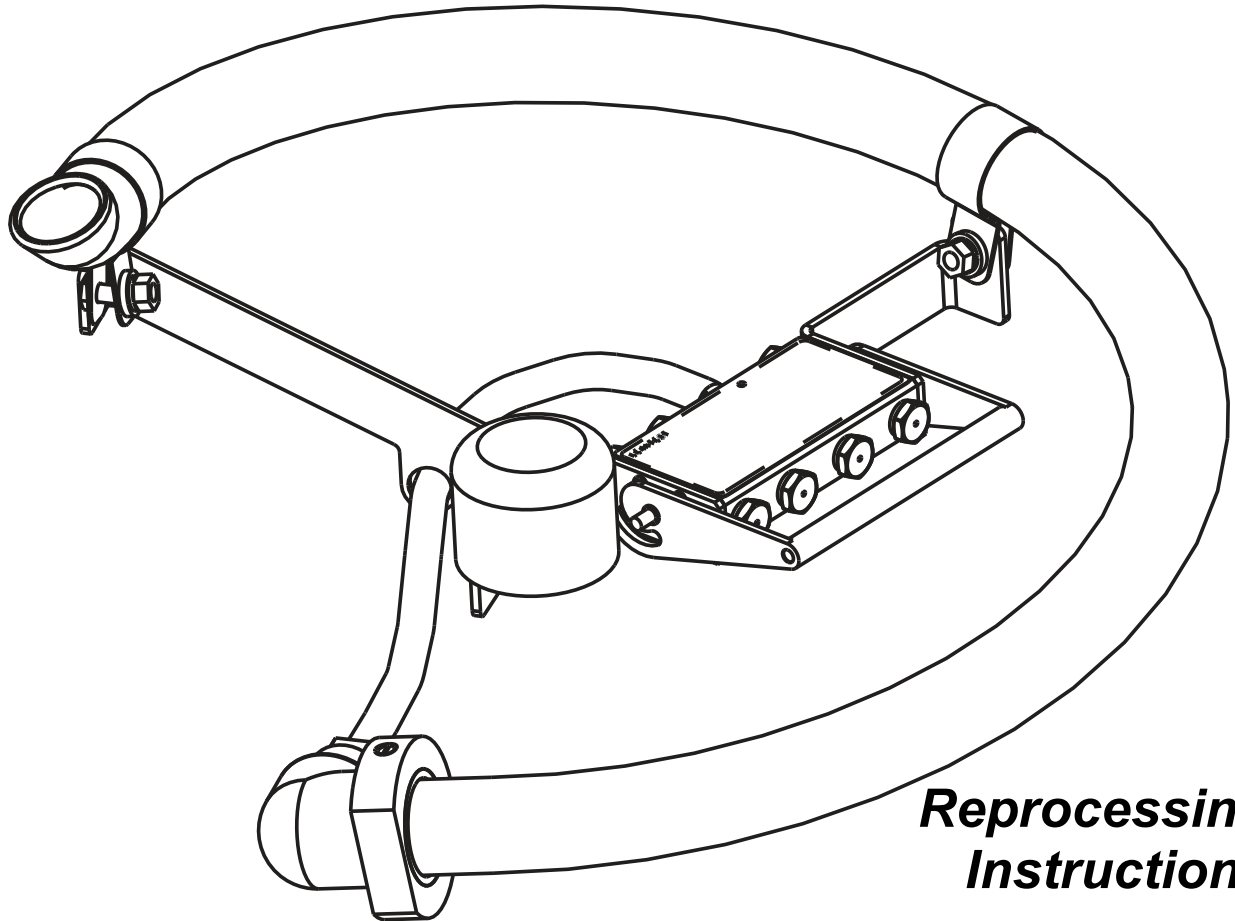




TEE/TOE PROBE HOOKUP - 2-8-901

Advantage Plus 2.0 Endoscope Reprocessing System



***Reprocessing
Instructions***



CONTENTS

Introduction	3
Safety	3
TEE/TOE Probe Reprocessing Hookup Components	4
Pre-Cleaning	5
Inspection	5
Hookup Connection	7
TEE/TOE Probe Basin Lid Installation	8
Disinfection Process	9
Adding TEE/TOE Probe to the Advantage Database	10

50097-401 Rev E

© 2011, MINNTECH CORPORATION, All rights reserved.

Medivators Reprocessing Systems reserves the right to make changes in the specifications shown herein without notice or obligation. Contact your representative for more information.



INTRODUCTION

These instructions cover the use of the TEE/TOE Probe Hookup with the Medivators Advantage Plus 2.0 Endoscope Reprocessor System. For complete instructions on the use and operation of the reprocessor, refer to the Advantage Plus 2.0 Endoscope Reprocessor User Manual.

SAFETY

- Avoid biological contamination. Always wear personal protective equipment when handling used TEE/TOE Probes.
- Disinfection solutions are corrosive. Always wear proper eye protection and nitrile gloves when handling open containers. Avoid direct contact with eyes, skin and clothing.
- In case of contact with disinfection solution, flush eyes or skin with copious amounts of water for a minimum of 15 minutes. Seek immediate medical attention in case of eye contact.
- Disinfection solution is harmful if swallowed. In case of accidental ingestion, drink large quantities of water and call a physician immediately. Avoid contact with food. Do not store disinfectant near food.
- Medivators makes no claim of high-level disinfection efficacy when these reprocessing instructions are not followed, or when this hookup kit is used with TEE/TOE probes that are not compatible with the Hookup.
- Failure to adhere to the guidelines of the professional bodies or the probe manufacturer's recommendations governing the cleaning and disinfection of the probe, may compromise the efficacy of the disinfection process.



The Medivators Advantage TEE/TOE Probe Reprocessing Hookup contains the following two components:

- TEE/TOE Probe Reprocessing Hookup (Figure #1)
- TEE/TOE Probe Reprocessing Basin Lid (Figure #2)

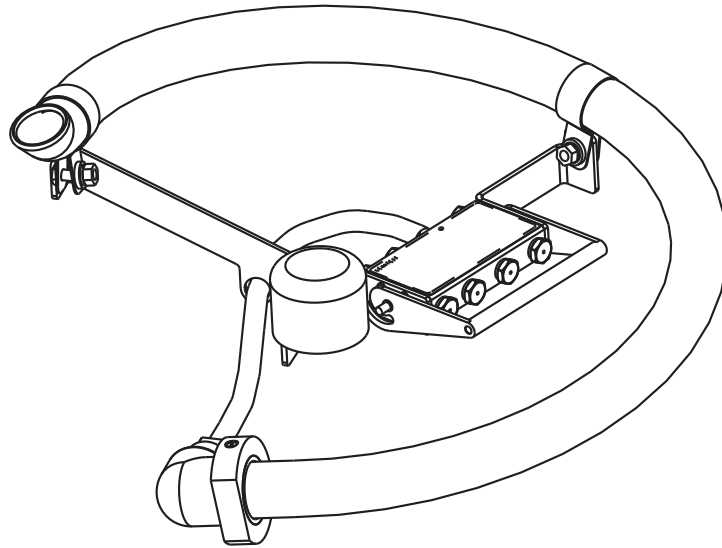


Figure 1: TEE/TOE Probe Hookup

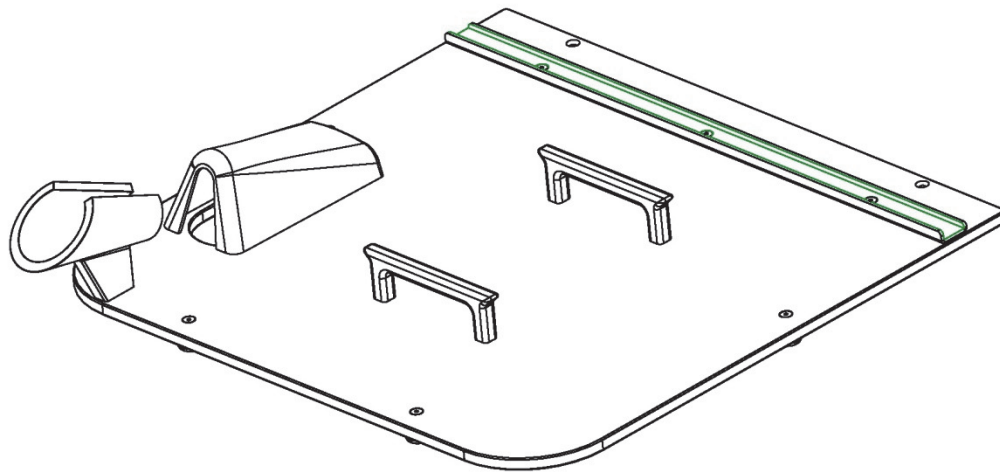


Figure 2: TEE/TOE Probe Basin Lid

NOTE: Advantage Plus models manufactured prior to June 2010 will need a specific lid calibration prior to using a TEE Probe Hookup. Please contact Medivators Technical Support for more information.



PRE-CLEANING OF PROBE

Manually pre-clean the probe as soon as possible after removal from the patient. All foreign material must be removed from the probe prior to reprocessing. Cleaning must be performed in accordance with the probe manufacturer recommendations or the guidelines of the governing professional body.

Caution: Failure to adhere to the manufacturer's cleaning recommendations may result in inadequate high-level disinfection.

INSPECTION/MAINTANANCE OF HOOKUP

TEE/TOE Probe Reprocessing Hookup

Prior to each reprocessing cycle, the TEE/TOE Probe Hookup should be inspected to confirm that the drain hole located on the bottom of the hookup is not plugged by foreign material (See Figure 3). Remove foreign debris by first dismantling the tubing and right angle connection by gently pulling apart the collar at the tube connection from the main body of the hookup. Wipe the right angle tubing connector with a lint-free cloth and ensure that the drain hole is clear. Reconnect collar and tubing by aligning locking pin with detents and push together until it locks into place. The hookup should also be inspected for damage or disconnected components, any damaged/disconnected components should be repaired or replaced prior to use.

Warning: Failure to remove foreign material from the drain hole prior to the reprocessing may result in inadequate high-level disinfection.

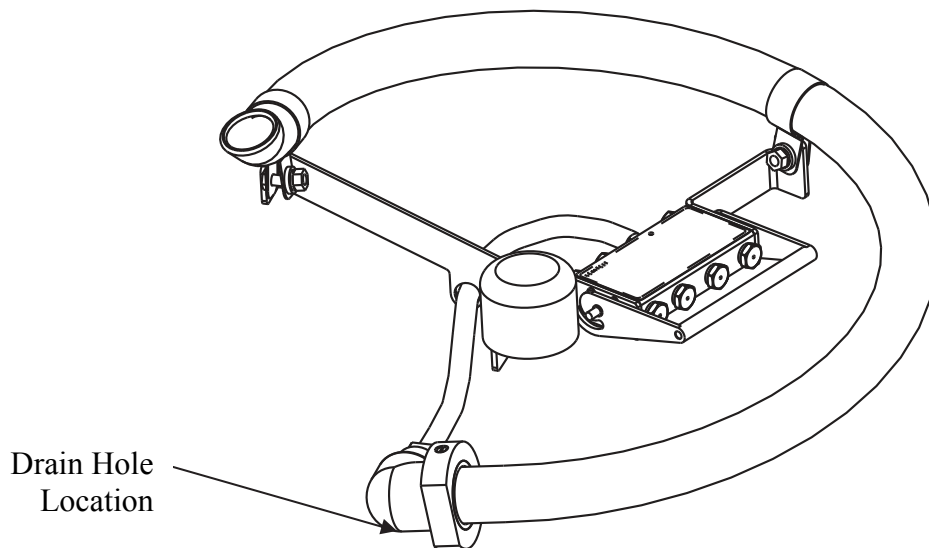


Figure 3: TEE/TOE Probe Hookup Drain Hole



TEE/TOE Probe Reprocessing Basin Lid

The TEE/TOE Probe Reprocessing Basin Lid must be inspected for damage, and any damaged components should be repaired or replaced prior to use. Prior to removing a reprocessed TEE/TOE probe from the endoscope reprocessor, any external areas of the basin lid that could come in contact with the TEE/TOE probe should be wiped down with an alcohol-free surface disinfectant. When removing the TEE/TOE Probe Reprocessing Basin Lid from the endoscope reprocessor after use, all surfaces should be cleaned and wiped down with an alcohol-free surface disinfectant.

Warning: Failure to disinfect TEE/TOE Probe Reprocessing Basin Lid surfaces prior to removing a reprocessed probe could result in recontamination.

TEE/TOE Probe

Check the probe for proper operation before reprocessing. Verify that all foreign material has been removed from the probe. If not, repeat the pre-cleaning process.

Warning: Failure to remove foreign material prior to the reprocessing may result in inadequate high-level disinfection.



HOOKUP CONNECTION

The TEE/TOE Reprocessing “Hookup Block” should be placed over the Medivators Advantage Connection Plate, aligned with pegs and pressed down to ensure proper connection. The Hookup Block Handle should then be pressed down to fully engage the Hookup Block (See Figure #4).

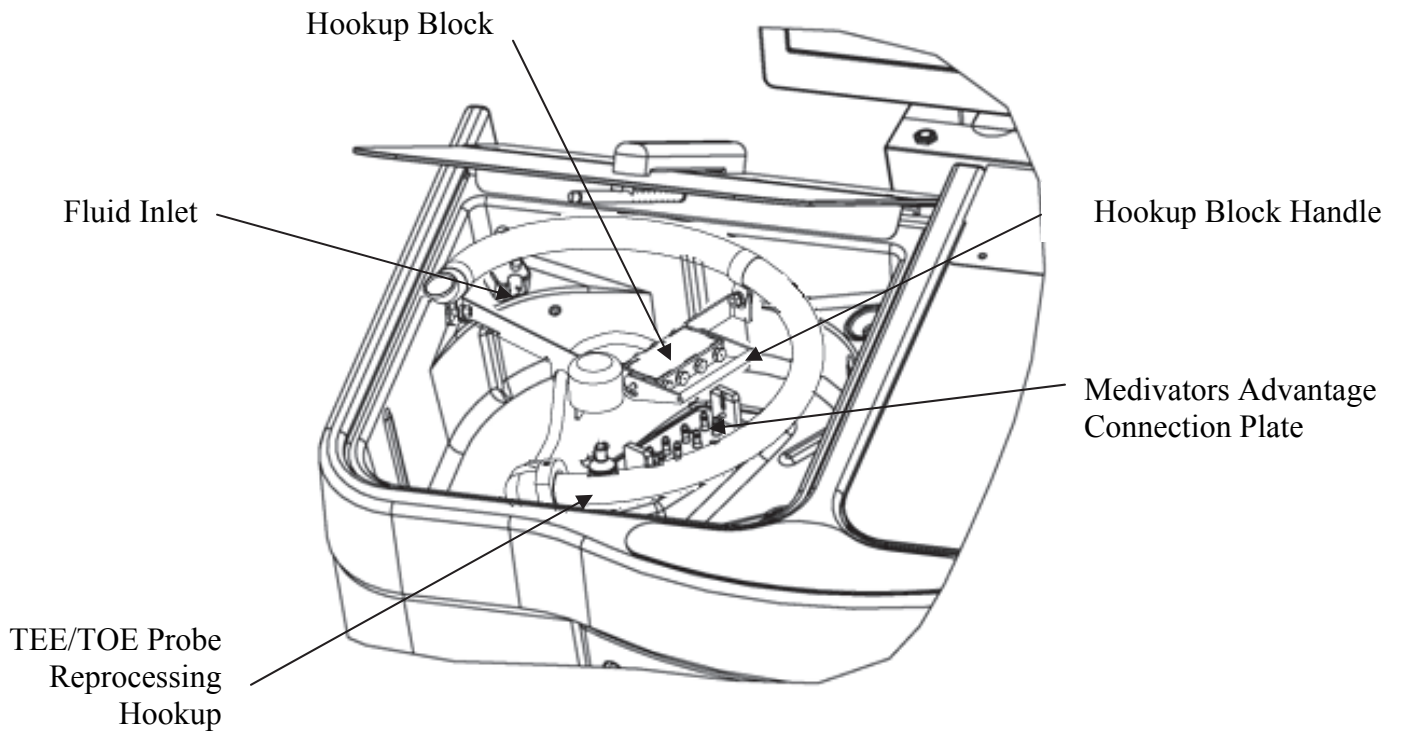


Figure 4: TEE/TOE Probe Hookup Installation



TEE/TOE PROBE BASIN LID INSTALLATION

With the Medivators Advantage basin lid open, center TEE/TOE Probe Basin Lid over the basin (See Figure #5).

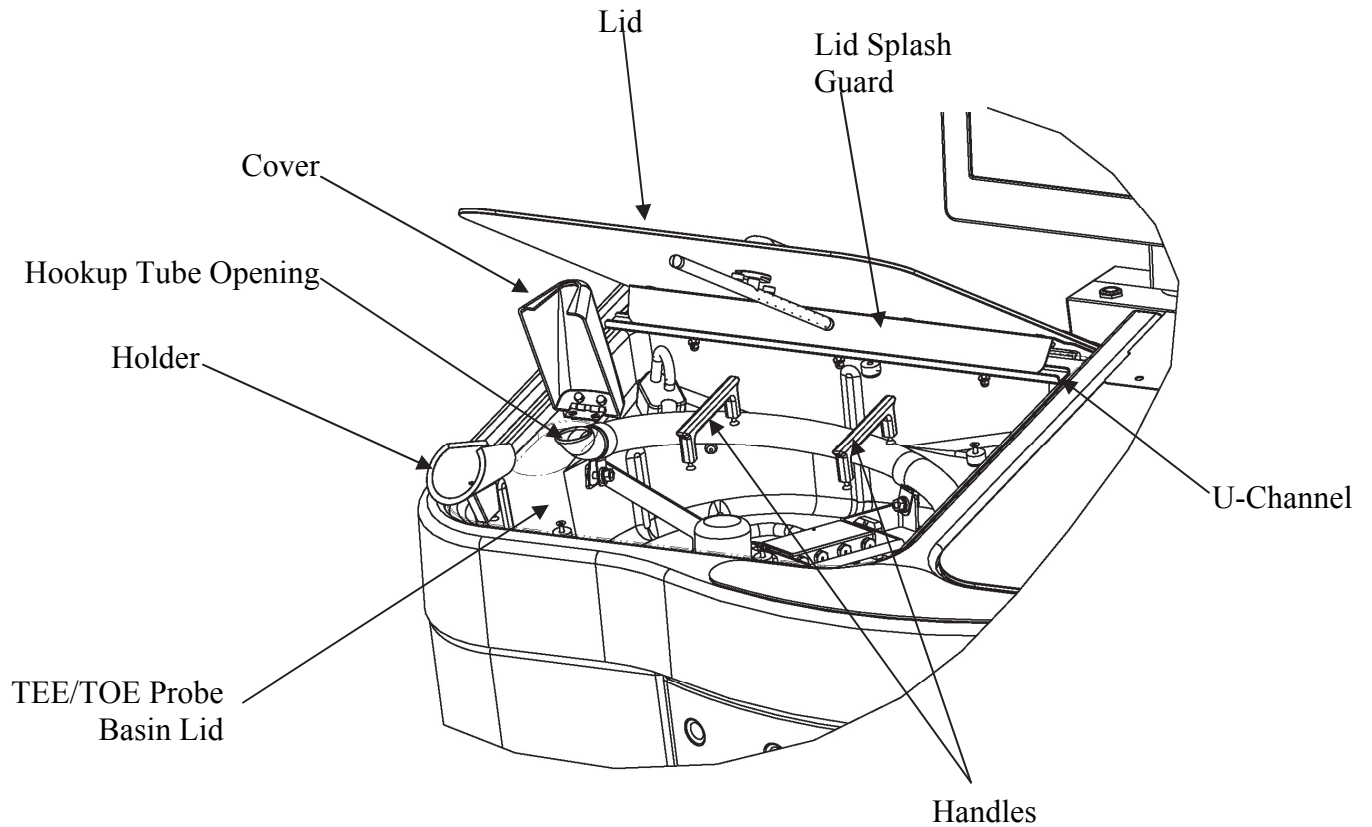


Figure 5: TEE/TOE Probe Basin Lid Installation



DISINFECTION PROCESS

Warning! Disinfection potency must be monitored in accordance with the manufacturer's instructions. Disinfectant with degraded potency, or beyond its open bottle life date must be replaced.



Note: Ensure that the disinfectant cycle time is equal to, or greater than, the disinfectant manufacturer's label instructions.

1. Verify that the TEE/TOE Probe Hookup is properly installed and that the TEE/TOE Probe Basin Lid is in place.
2. Open small cover located on the TEE/TOE Probe Basin Lid and insert the TEE/TOE Probe into the Hookup Tube Opening (See Figure #5).
3. Place TEE/TOE Probe Control Handle into Holder.
4. Coil TEE/TOE Probe cord around Basin Lid Handles.
5. Press the reprocessor lid button to close the lid. The lid's sheet metal Splash Guard will come down onto the TEE/TOE Probe Basin Lid's U-Channel (see Figure #5).
6. Select the appropriate parameter set from the control panel.
7. Press the START button.
8. During the Flush cycle, verify that the fluid flows out the end of the hookup tube and drains during the draining step.
9. After completion of the reprocessing cycle, press the reprocessor's lid button to open the lid and to acknowledge the completion of the cycle. Visually verify that all hookup components and tubing remain connected throughout the reprocessing cycle.
10. Prior to removing the probe from the reprocessor, wipe down the exterior surfaces of the TEE/TOE Probe Basin Lid and Holder using an alcohol-free surface disinfectant.
11. Carefully remove probe from reprocessor.



ADDING TEE/TOE PROBES TO THE ADVANTAGE® PLUS 2.0 DATABASE

TEE/TOE probes are configured in the ADVANTAGE database similar to endoscopes. The difference is that all TEE/TOE probes use the same hookup and parameter set and are configured as the same type. The parameter set used with the TEE/TOE Probe fixture is 1-xx-199.

Copy the parameter set 1-xx-199 to the Import folder in Program Files->MDS. In the Management utility, click on the **Configuration** tab  and select the **Parameter sets** screen. Import the parameter set 1-xx-199 using the import icon. 

Click on the **General** tab and select **Endoscopes**. In the **Parameter sets** frame select parameter set 1-xx-199.

Parameter sets	
Parameter set	Parameter set comment
1-16-199 A	

The TEE/TOE probe fixture is linked to the parameter set in the **Endoscope Types** frame. All TEE/TOE probes use this endoscope type.

Endoscope types			
Endoscope type	Number of channels	Leak test	Connection block
TEE/TOE	1		1 2-8-901

Add each endoscope to the **Endoscopes** frame specifying the type as TEE/TOE. The bar code applied to each endoscope is entered in the **Barcode** field. The **Internal ID** is used as the endoscope identifier and is printed on the cycle log certificate.

If you have any questions regarding these instructions, please contact Medivators Customer Support at 1-800-444-4729.

Manufactured in the USA by:



MINNTECH[®]
A Cantel Medical Company

Minntech Corporation
14605 28th Avenue North
Minneapolis MN 55447 USA
Phone: 763.553.3300
Toll Free: 800.328.3340
Fax: 763.553.3387
Web: www.minntech.com

Minntech BV
Sourthweg 11
6422PC Heerlen
The Netherlands
Phone: +31 45 5 471 471
Fax: +31 45 5 429 695
email: info@minntechbv.com



Minntech Asia / Pacific Pte Ltd
1A International Business Park
#05-01 Singapore 609933
Phone: +65 6227 9698
Fax: +65 6225 6848

Minntech Beijing Representative Office
Room 708, 7th Floor Kaiheng Center,
No. 2 Chaoyangmennei street
Dongcheng District, Beijing China, 100010
Phone: +8610 6567 8446
Fax: +8610 6567 8445